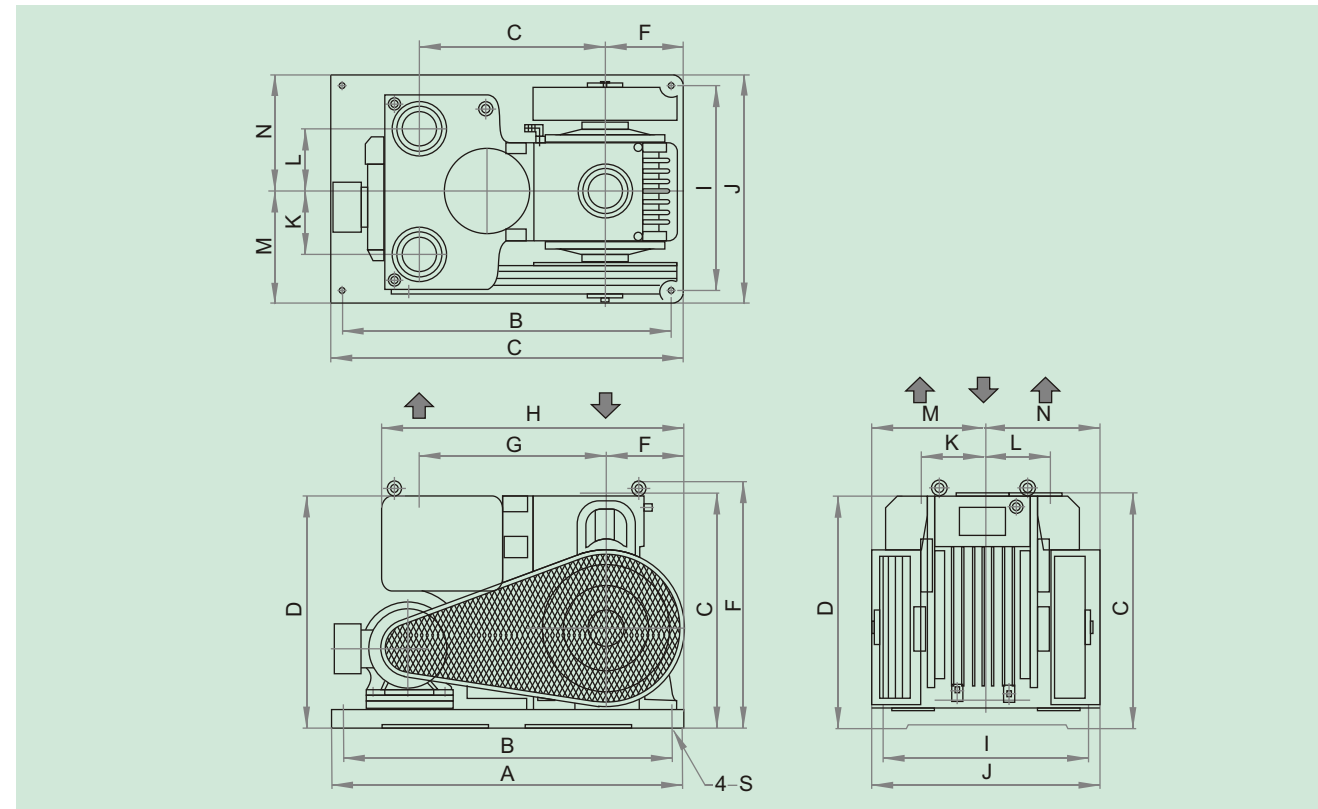


WSSR-H Series

Outside Dimensions



DIMENSIONS	MODEL	A	B	C	D	E	F	G	H	I	J	K	L	M	N	S
	WSSR-H 1.5K	785	735	555	545	606	175	465	735	470	520	155	155	270	250	Ø18
	WSSR-H 2.5K	785	735	555	545	606	175	465	735	605	655	180	180	320	335	Ø18
	WSSR-H 4.5K	1000	940	670	655	710	240	522	868	620	680	180	180	348	332	Ø20
	WSSR-H 7.5K	1235	1150	815	805	856	275	650	1055	720	800	220	220	390	410	Ø20

All dimensions are in mm



INDO WOOSUNG VACUUM CO. PVT. LTD.

Joint venture with Woosung Vacuum Co. Ltd. of South Korea

HEAD OFFICE 20, Anupam Industrial Estate No.3, L.B.S. Marg,
Off Malviya Road, Mulund (W), Mumbai - 400 080 (India)
Tel : +91-22-25613336, 32923010 Fax : 25613335
Mobile : +919324280001 E mail : iwvcplm@mtnl.net.in

WORKS R. S. No. 609 / 2B, Machhe Industrial Area,
Machhe, Belgaum - 590014, Karnataka (India)
Tel : +91-831-3290740, 3290610
Fax : 2440822 E mail : iwvcpl@airtelbroadband.in

SALES & SERVICE NETWORK

Mumbai
+91-22-32923010
+919324136654
iwvcplm@mtnl.net.in

Pune
+91-20-32916222
+919325503025
indowoosungpune@dataone.in

Bangalore
+91-80-32903700
+919342502533
iwcbng@sancharnet.in

Hyderabad
+91-8418-233468
+919397023211
indowoosunghyd@gmail.com

Chennai
+919382126426
indwoovac.arul@gmail.com

New Delhi
+91-129-4046317
+919310079121
kaypumps@airtelbroadband.in

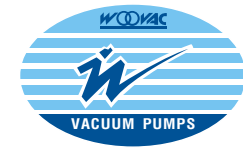
Kolkata
+91-33-24071900
+919830267864
trinity@cal2.vsnl.net.in

Ahmedabad
+91-79-27502953
+919426024653
sumankarkari73@yahoo.co.in

Baroda
+91-265-2386940
+919825059629
his@ricmail.com

Indore
+91-731-2539831
+919830267864
shahmarketing@vsnl.net

www.indowoosung.com



WSSR-H Series

Rotary Piston Vacuum Pump

Capacity 1500 to 7500 LPM, Ultimate Pressure : $< 5 \times 10^{-3}$ Torr



INDO WOOSUNG VACUUM CO. PVT. LTD.





World Class Manufacturing Plant at Belgaum

WOOVAC - WSSR-H series oil sealed rotary piston type vacuum pumps are manufactured in collaboration with **Woosung Vacuum Co. Ltd. of South Korea**, who are leaders in the field of vacuum pump technology for more than 30 years, with many patents and prestigious awards to their credit. WOOVAC pumps are manufactured by **Indo Woosung Vacuum Co. Pvt. Ltd.** in their modern 45,000 sq. ft. world class plant at Belgaum, Karnataka. Indo Woosung uses advanced manufacturing process technology, All components are manufactured to very close tolerances on high precision CNC machines ensuring high quality & excellent interchangeability of parts.

The pumps are compact in design and offer consistent guaranteed high vacuum with very low input power and offer faster pump down time. The advanced pump design incorporating twin cylinders and components made of high quality specially graded raw materials ensure high thermal stability and superior performance. The pumps are designed and manufactured to operate in the most stringent environment and do not require any external or forced cooling due to their low temperature rise. WOOVAC pumps offer a higher degree of vacuum as compared to any other pumps currently being manufactured in India.

Woosungs' patented technology, continuous R&D and technical support combined with world class manufacturing facility at Indo Woosung ensure a product, offering high quality, reliability and long trouble free service. Indo Woosung manufactures a wide range of advanced technology vacuum pumps in India and exports a major portion of their production worldwide through the Woosung distribution network.



CNC Vertical Machining Center

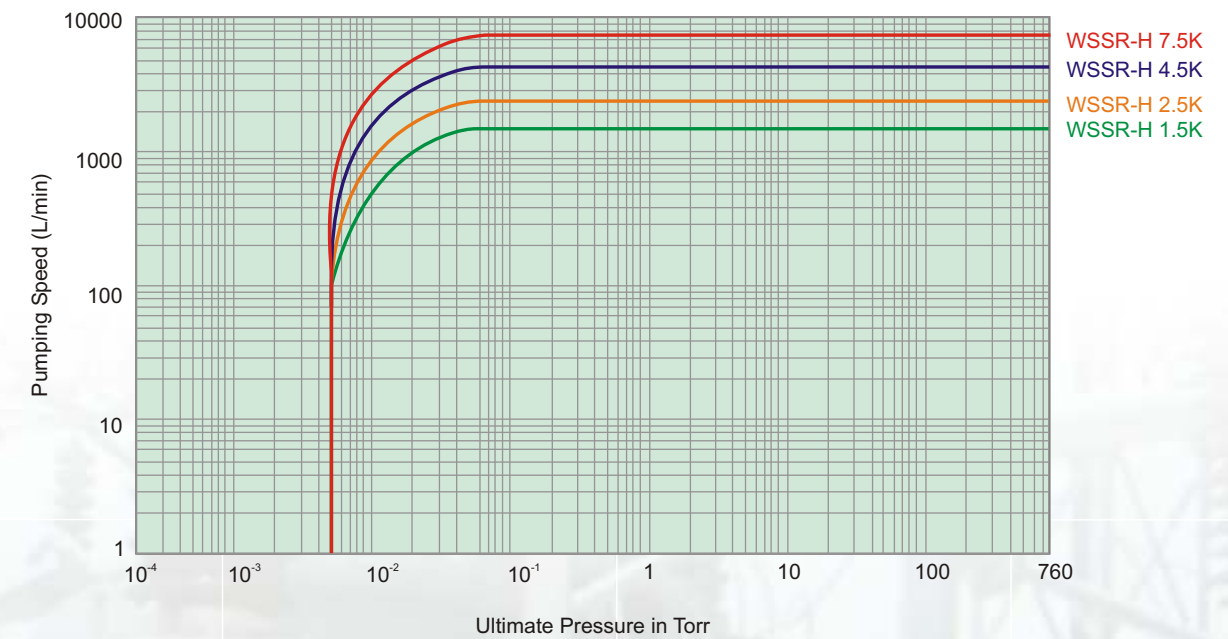


CNC Horizontal Machining Center

Technical Specifications

WSSR-H Series

Performance Curve



WSSR-H Series

Salient Features

- Excellent vacuum degree with perfect sealing design
- Rugged construction and excellent interchangeability of parts
- Highly durable & reliable performance for variety of applications
- Low noise and vibration levels
- Booster pump can be directly mounted on top of the pump, Saves space and avoids expensive plumbing and joints
- High resistance to wear & tear
- High tolerance to contaminants
- Pump capable of handling high water vapour load
- Advanced design offers high degree of vacuum with low power consumption
- Modern production technology ensures high quality & longer life
- Ready availability of spares, backed by nationwide efficient after sales service

Applications

- Transformer Drying
- Oil degassing
- Lube Oil processing
- Pharmaceutical & Chemical
- Distillation / Drying
- Centralised vacuum facility
- Autoclave
- Aerospace and Nuclear Industry
- Desalination
- Impregnation
- Vacuum casting
- Vacuum forming
- Rubber Industry
- Furnaces

Technical Data

MODEL	UNIT	WSSR-H 1.5K	WSSR-H 2.5K	WSSR-H 4.5K	WSSR-H 7.5K	
Displacement	60 Hz	L/min	1800	3000	5400	9000
	50 Hz	L/min	1500	2500	4500	7500
		m ³ /hr	90	150	270	450
Ultimate Pressure*	Torr	$< 5 \times 10^{-3}$				
Inlet / Outlet Port		VG 50	VG 80	VG 80	VG 100	
Motor Power	kW	2.2	3.7	7.5	11	
Rotational Speed of Pump	RPM	400	440	420	380	
Oil Filling	Litre	8	12	18	26	
Weight Including Motor	kg	281	376	635	985	

* Under specified test conditions
Note : R&D is continuous process, the specifications are subject to change without prior notice